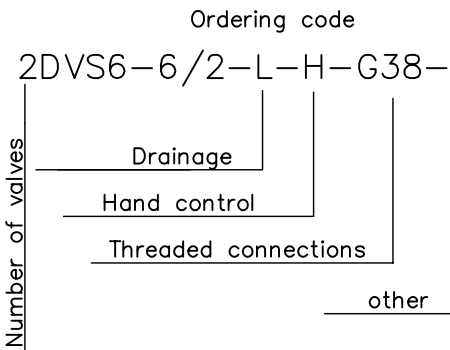
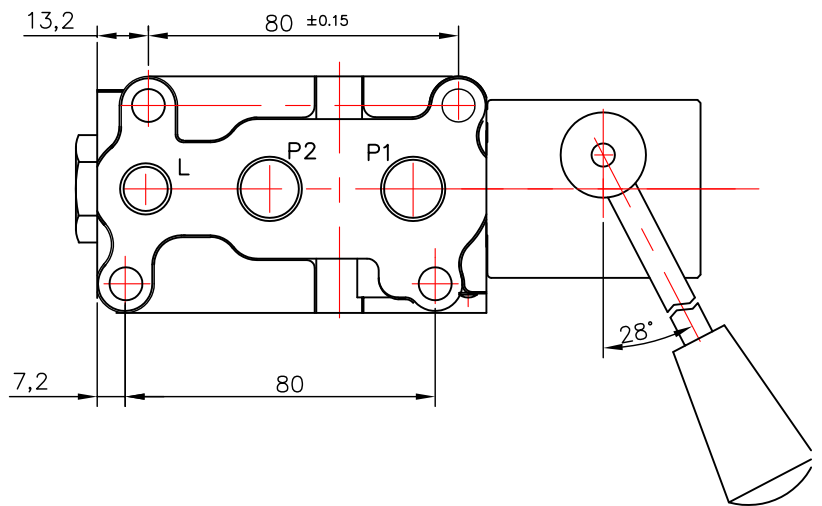
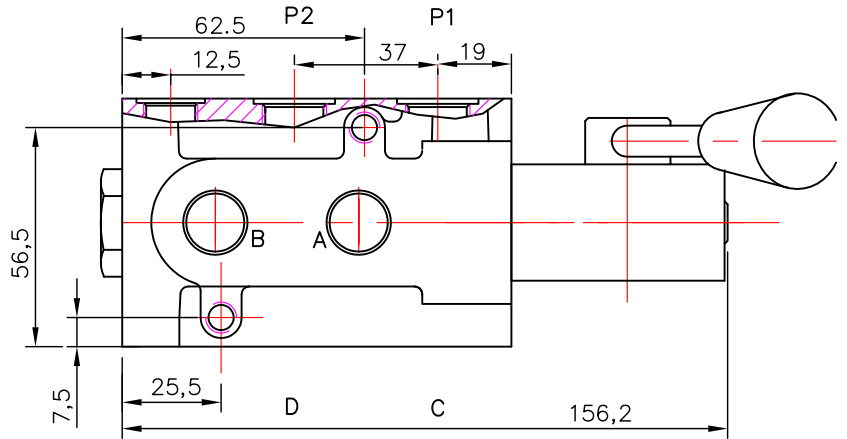


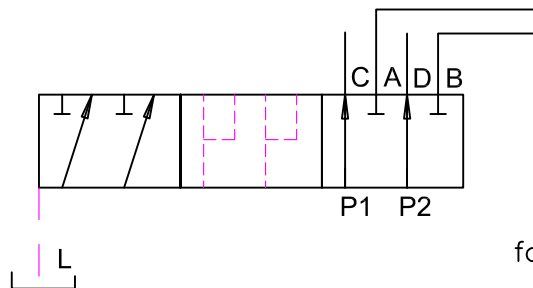
directional control valve DVS6-6/2L-H

All other DVS6-6/2L technical data refers to DVS6-6/2L-H valve too.

Directional valves DVS6-6/2-H are with Hand control system. They are used as link between two consumers and the basic directional valve, when we want to control both consumers alternately by means of one basic directional valve.



Supply voltage		12DC or 24DC	
code	Threaded connections		
G38	P1, P2, A, B, C, D - G3/8 ; L = G1/4		
G12	P1, P2, A, B, C, D - G1/2 ; L = G1/4		
G18	P1, P2, A, B, C, D - M18x1.5 ; L = M14x1.5		
G22	P1, P2, A, B, C, D - M22x1.5 ; L = M14x1.5		



for stacking 1-5 units

Flow rate		l/min	50	Hand control		
max P	with L	bar	315			
max P	without L	bar	210			
oil temperature		°C	-20+70			
viscosity		mm <sup>2</sup> /s	15-380			
filtration	NAS1638		9			